



**RX100-15
&
RX100-20**

***Hybrid AC Power Filter
and
Surge Suppressor***

OWNERS MANUAL

Houston, Texas
p: 713.772.1404
info@juicegoose.com
www.juicegoose.com

08-18

FEATURES SUMMARY

RX100 features include:

- Less than 1 volt surge potential between neutral and ground
- Less than 10 volt surge potential between neutral and line
- Over voltage and wiring fault shut down
- An all steel Tour Class^(tm) chassis
- Eight 120 volt power outputs (6 switched 2 unswitched)
- Fifteen amp, 1800 watt current rating

SAFETY PRECAUTIONS

The RX100 is designed to operate with 120VAC, 60 Hz. Operation with 220 or 240 volts will damage the unit and possibly cause personal injury.

CAUTIONS

1. The RX100 must be grounded to operate. Defeating the unit's grounding capability could create a hazard.
2. There are no user serviceable parts inside the RX100. Do not attempt service yourself. Contact Juice Goose as directed in this manual if service is required.
3. Do not expose the RX100 to moisture. Avoid severe physical impacts to the unit.

DISCLAIMER

Juice Goose shall under no circumstances be held responsible for any loss, damage or injury resulting from the use of the RX100 in a manner inconsistent with any of the procedures outlined in this document. The user is responsible for determining whether this product is appropriate for the intended application.

Juice Goose is not responsible for any indirect, secondary or ancillary loss or damage, including personal injury, loss of or damage to property or loss of income resulting from the operation or failure of this unit.

RX100 SPECIFICATIONS

DIMENSIONS (INCHES)	1.72 x 19.00 x 7.00
WEIGHT (LBS)	12
POWER INPUT	120 VAC, 60Hz
POWER OUTLETS	RX100-15 RX100-20
	8 NEMA 5-15R (2 unswitched) 8 NEMA 5-20R (2 unswitched)
CURRENT CAPACITY	15 or 20 AMPS
POWER CORD	8ft FOOT, 14/3 SJT or 8ft 12/35JT
TRANSIENT ENERGY ABSORPTION (JOULES)	1020
MAXIMUM APPLIED SURGE CURRENT (AMPS)	3000
MAXIMUM APPLIED SURGE PULSE VOLTAGE (VOLTS)	6000
SURGE LET THROUGH RATE (VOLTS)	
L-N	10
N-G	0.5
COMMON MODE (N-G) LINE NOISE REJECTION (dB)	
100 kHz	30
300 kHz	77
1 MHz	80
10MHz	80
30MHz	80
NORMAL MODE (L-N) LINE NOISE REJECTION (dB)	
100 kHz	21
300 kHz	56
1 MHz	60
10MHz	60
30MHz	60
CHASSIS DESIGN	TOUR CLASS - UNIBODY
CHASSIS FINISH	POWDER COAT ENAMEL

FRONT PANEL

Power On/Off Switch – This lighted rocker switch is located on the left hand side of the chassis. The switch will light when the RXIOO is on.

AC Outlets – ONE unswitched NEMA 5-15R OR NEMA 5-20R rated for current loads up to 15 amps OR 20 amps at 120 volts.

Indicator Lights

Power – This blue light indicates the RXIOO is connected to mains power and the ON switch is engaged.

Protection OK – This blue light indicates the RXIOO protection circuit is functioning and the main AC power source is correct.

External Fault – In the event of continuous high voltage or incorrect wiring of the line, neutral or ground leads supplying the RXIOO, the unit will disconnect equipment plugged into it. The blue Protection OK light will be OFF and the white External Fault indicator will light.

REAR PANEL

AC Outlets –

Seven NEMA 5-15R OR 5-20R outlets (one unswitched) rated for current loads up to 15 amps or 20 amps at 120 volts.

Breaker – A resettable, thermal circuit breaker protects the unit from current overloads. If the breaker trips check for a malfunction in equipment plugged into the RXIOO. Also check to be certain the total current requirement of the equipment plugged into the RXIOO does not exceed 15 amps or 20 amps depending on the model.

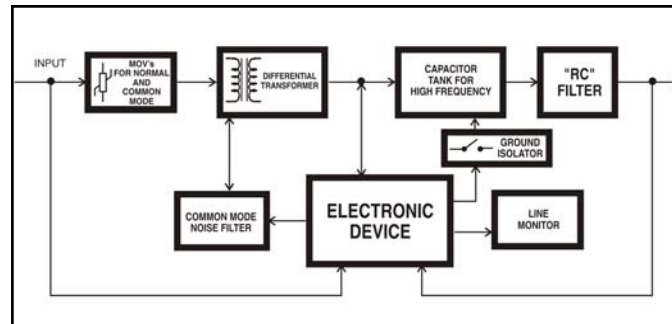
The circuit breaker may be reset. Wait 30 seconds after the breaker trips, turn off the main unit power switch and push the center button on the breaker back into its original position. Then turn on the main power switch.

INTERNAL PROTECTION COMPONENTS

The RXIOO is one of the RX Series products which featured patented Hybrid AC Filter technology to clean up both Normal Mode and Common Mode noise without contaminating the ground. Normal Mode noise occurs between the line and neutral leads of an electric power circuit. Common Mode noise occurs between either the line or neutral and the safety ground lead.

UL 1449 limits the amount of current that can pass between line and safety ground to 0.5 milli amperes. This is called "leakage current". The Hybrid AC Filter process control board, by using a differential transformer and capacitors, acts as a low pass, "line conditioning" filter which performs in the same way as a series mode inductor. These components, along with a capacitor between neutral and ground comprise

the foundation of the Hybrid AC Filter design which conditions incoming AC power, removing normal and common mode noise without adversely affecting the ground line.



TROUBLESHOOTING

The RX100 is ruggedly designed and constructed from high quality components to give years of dependable power for your equipment. It requires neither maintenance nor adjustment. It is unlikely to malfunction. However, there is one potential event to note:

The RX100 will not come on or turns itself off.

a. Check the status of the power supplied to the unit. If line voltage exceeds 165 volts for 3 seconds protection circuitry will disconnect power to the AC power outputs. This will also occur if the line and neutral leads are reversed or if there is no ground connection. Use a voltage meter and/or polarity tester to examine the status of incoming power.

b. Check that the circuit breaker is not tripped and that the current load on the unit does not exceed its rated 15 amp or 20 amp capacity. If the breaker is tripped, remove sufficient current load to reduce the total to no more than 15 amps or 20 amps (depending on the RX100 model). Wait approximately 30 seconds after the tripping. Turn off the main power switch and push in the circuit breaker button.

If an observed problem can not be remedied, particularly if the problem seems severe or dangerous, discontinue use of the RX100 and contact Juice Goose directly.

REPAIR

Should your RX100 need service contact Juice Goose for assistance and authorization to return the unit. PLEASE NOTE: a return authorization number is required in order for the service personnel to correctly and promptly identify, repair and return your unit. You may obtain a Return Authorization Number by calling: 713-772-1404 or sending email to info@juicegoose.com.

OTHER HIGH QUALITY PRODUCTS FROM

JG SERIES – Rack mountable power distribution in a 19" configuration. Five models to choose from. Feature options include rack lighting and voltage meter. The JG11-20A has a 20 amp capacity, 2 unswitched outlets and a 15 foot power cord. All units contain a basic level of power conditioning.

PD SERIES – Custom configured power strips with up to 12 circuits per unit. The PD1A, PD1B and PD3 offer various options regarding size, number and arrangement of circuits, length and location of wire harness and mounting configuration. Select exact configuration with a features menu.

CQ SERIES – Power sequencing and remote control products. No master controller is required. Very flexible, economical and easy to install. Models include rack mount, four circuit and 30 amp designs. Optional remote controls include key or rotary switch and secure keypad.

IP SERIES – The iP Series models offer web based remote control and monitoring of AC power. An on board web server provides immediate functionality. UDP or TCP communications allow text based commands over the Internet. RS232 connection is available. Remote control modules are available from Crestron, Symetrix and other third party companies.

UPS MODELS – When protection against power outage is needed, Juice Goose is a source for 16 models of UPS products, rack or tower mount, line interactive or on line. Call or email for any specification or application assistance.